

PRODUCT INFORMATION PACKET

marathon[®]
Motors

Model No: 254TTFCA6033
Catalog No: GT3222
15,1800,TEFC,254JM,3/60/575
JM



Regal and Marathon are trademarks of Regal Beloit Corporation or one of its affiliated companies.
©2018 Regal Beloit Corporation, All Rights Reserved. MC017097E

REGAL[®]



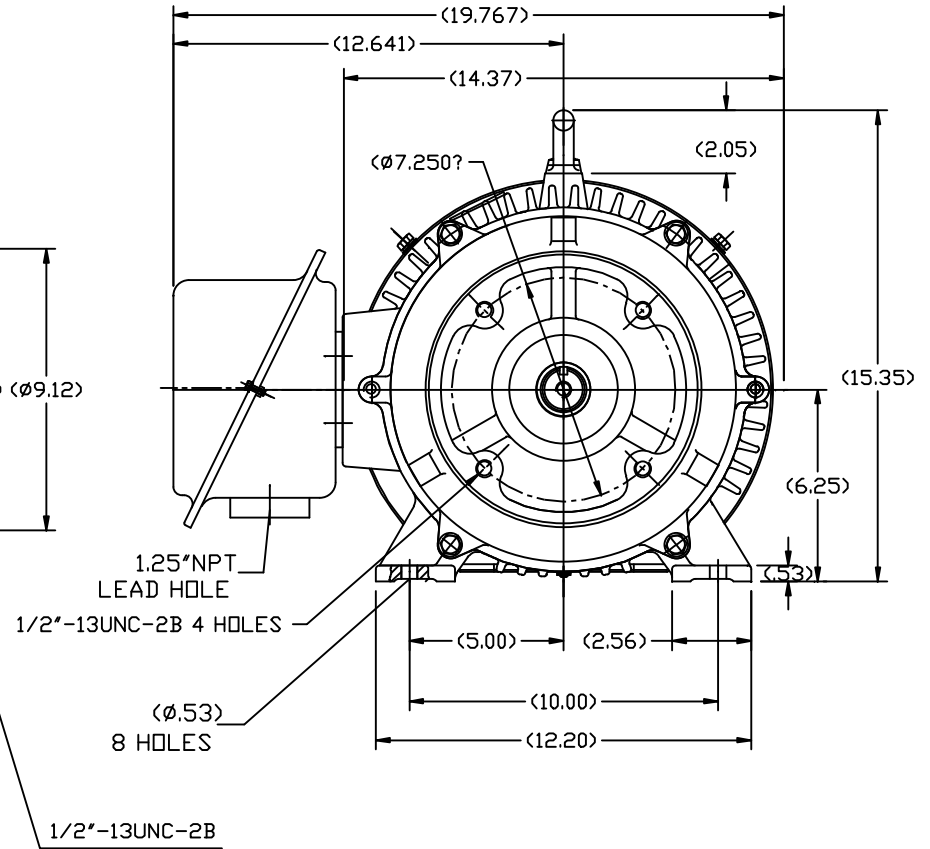
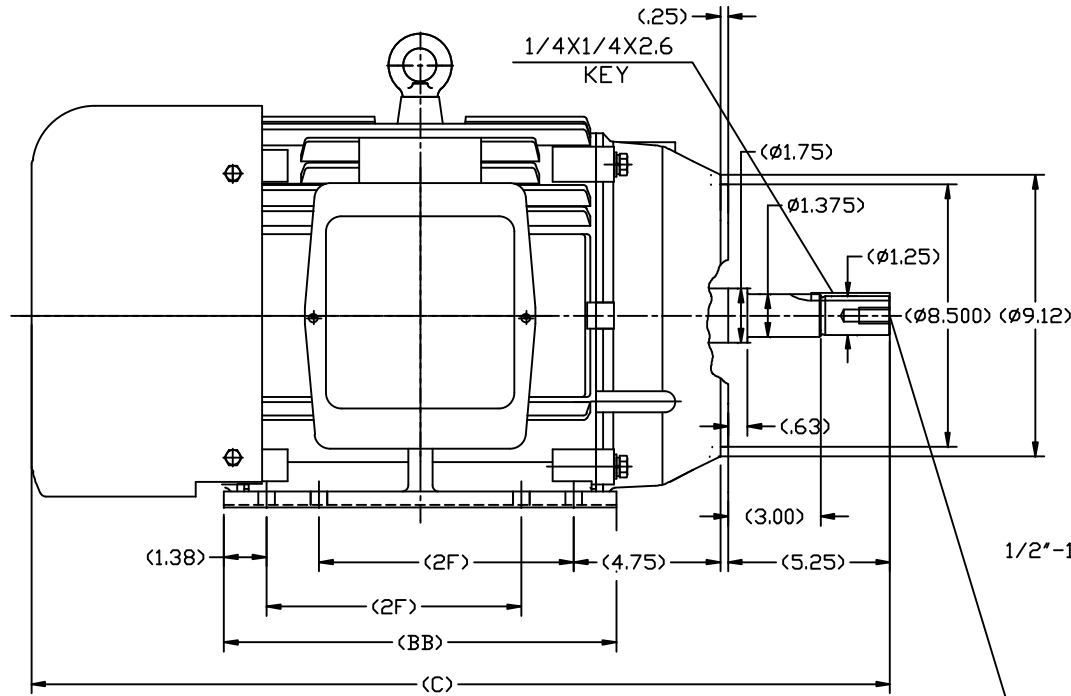
Nameplate Specifications

Output HP	15 Hp	Output KW	11.2 kW
Frequency	60 Hz	Voltage	575 V
Current	15.0 A	Speed	1770 rpm
Service Factor	1.15	Phase	3
Efficiency	92.4 %	Duty	Continuous
Insulation Class	F	Design Code	B
KVA Code	G	Frame	254JM
Enclosure	Totally Enclosed Fan Cooled	Overload Protector	No
Ambient Temperature	40 °C	Drive End Bearing Size	6309
Opp Drive End Bearing Size	6209	UL	Recognized
CSA	Y	CE	Y
IP Code	43		

Technical Specifications

Electrical Type	Squirrel Cage Inverter Rated	Starting Method	Line Or Inverter
Poles	4	Rotation	Reversible
Mounting	Rigid base	Motor Orientation	Horizontal
Drive End Bearing	Ball	Opp Drive End Bearing	Ball
Frame Material	Cast Iron	Shaft Type	JM
Overall Length	26.6 in	Shaft Diameter	1.250 in
Shaft Extension	5.25 in	Assembly/Box Mounting	F1/F2 Capable
Outline Drawing	SS620564	Connection Diagram	EE7300

This is an uncontrolled document once printed or downloaded and is subject to change without notice. Date Created: 06/29/2018



254	26.60	12.80	8.25
256	27.80	13.98	10.00
FRAME	C	BB	2F

		TOLERANCES UNLESS SPECIFIED		REGAL-BELOIT CORPORATION		DRAWN LSJ 05-16-2012			
		DEC.	INCHES			CHK			
		.X	±.1	TITLE		APPD			
		.XX	±.03	254/256TC FR-TEFC-CAST IRON		SCALE 1=4			
		.XXX	±.005	MAT'L.		REF			
		.XXXX	±.0005	FINISH		FMF HWADA			
NO.	REVISION	BY & DATE	CHK	ANG	±1/2	PREV			
THIS DRAWING IN DESIGN AND DETAIL IS OUR PROPERTY AND MUST NOT BE USED EXCEPT IN CONNECTION WITH OUR WORK. ALL RIGHTS OF DESIGN AND INVENTION ARE RESERVED. THIS IS AN ELECTRONICALLY GENERATED DOCUMENT - DO NOT SCALE THIS PRINT				RFP	CAD FILE	SS620564	SIZE	DRAWING NO.	REV.
				DIST			B	SS620564	

**THREE PHASE - SINGLE VOLTAGE
MOTOR - CONDUIT BOX @ 'A'**

**TO REVERSE ROTATION:
INTERCHANGE ANY TWO
LINE LEAD CONNECTIONS.**

TERMINAL BLOCK WHEN SPECIFIED



VIEW OF TERMINAL END

**IF MOTOR HAS
6 LEADS**

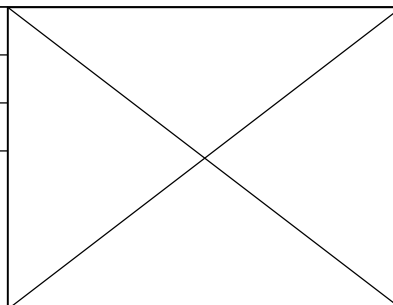



A-9806 DECAL

**OPTIONAL CORD
CONNECTION**



DRAWING REVISION AB	REVISION BY JJB	DATE 06-27-2017
ECO ECO-0125361	APPROVED BY TB	DATE 06-27-2017
ECO DESCRIPTION UPDATED TO CURRENT STANDARDS		
<small>COPYRIGHT REGAL BELOIT AMERICA, INC. ALL RIGHTS RESERVED. PROPRIETARY AND CONFIDENTIAL INFORMATION - THIS DOCUMENT IS THE PROPERTY OF REGAL BELOIT AMERICA, INC. ("OWNER") AND CONTAINS OWNER'S PROPRIETARY INFORMATION. ANY PERSON, CORPORATION OR OTHER FIRM RECEIVING IT IS DEEMED, BY RECEIVING IT, TO AGREE THAT IT, AND/OR ANY PART OF IT, SHALL NOT BE DISCLOSED TO ANY PERSON, CORPORATION OR OTHER ENTITY, DUPLICATED, AND/OR USED, EXCEPT AS EXPRESSLY APPROVED IN WRITING IN ADVANCE BY OWNER. THIS DOCUMENT SHALL BE RETURNED TO OWNER UPON REQUEST. IT MAY BE SUBJECT TO CERTAIN RESTRICTIONS UNDER APPLICABLE EXPORT CONTROL LAWS AND REGULATIONS.</small>		



DRAWN BY DA	 Regal Beloit America, Inc.		
DATE 03-26-1993			
APPROVED BY TB	DESCRIPTION CONNECTION DIAGRAM EXTERNAL - SINGLE VOLTAGE - 3Ø MOTOR		
DATE 03-26-1993	MATERIAL	PROCESS/FINISH	
REFERENCE	SIZE A	DRAWING NUMBER EE7300	SHEET 1 OF 1

Data Sheet

254TTFCA6033



Submittal
Data @ 575 V

Date: 6/19/2017

Customer:
Attention:
Submitted by: FAREEDA DUDEKULA

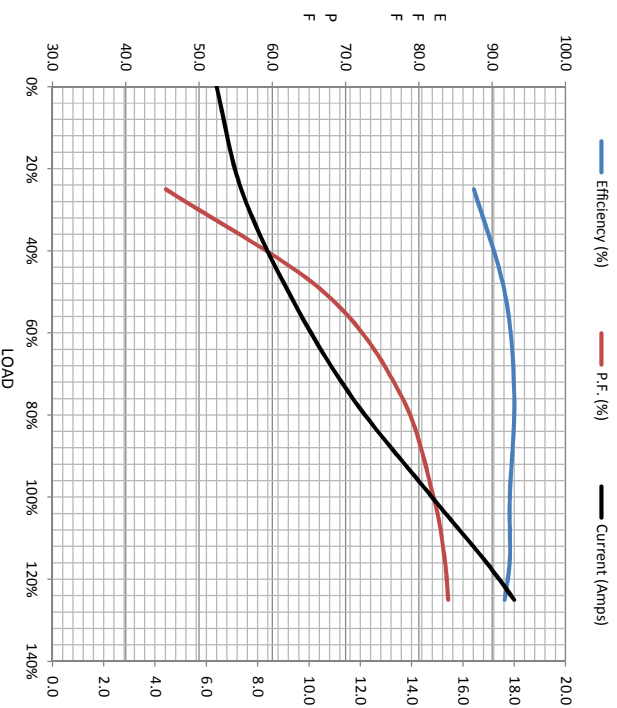
Load	Motor Load Data						
	0%	25%	50%	75%	100%	115%	125%
Current (Amps)	6.4	7.4	9.2	11.6	14.8	16.8	18.0
Torque (ft-lb)	0.00	11.0	22.0	33.5	44.5	51.5	56.0
RPM	1800	1790	1785	1780	1770	1765	1760
Efficiency (%)		87.5	91.7	93.0	92.4	92.4	91.7
P.F. (%)	6.0	45.5	67.0	77.5	82.0	83.5	84.0
							39.0

Motor Speed Data

	LR	Pull-Up	BD	Rated	Idle
Speed (rpm)	0	900	1655	1770	1800
Current (Amps)	88.0	76.4	50.8	14.8	6.4
Torque (ft-lb)	74.8	65.0	116	44.5	0.00

Information Block

HP	15.0
Sync. RPM	1800
Frame	254
Enclosure	TEFC
Construction	TFC
Voltage	575 V
Frequency	60 HZ
Design	B
LR Code letter	G
Service Factor	1.15
Temp Rise @ FL	45 °C
Duty	CONT
Ambient	40 °C
Elevation	1,000 feet
Rotor/Shaft wk ^e	2.50 Lb-Fe
Rel Wdg	CHTR5440001 NONE
Sound Pressure @ 1M	65 dBA
VFD Rating	VARIABLE 10:1
Outline Dwg	SS620564
Conn. Diag	EE7300
Additional Specifications:	
EQUIV CKT (OHMS / PHASE)	
R1	R2
0.5610	0.3840
X1	X2
1.7130	2.6580
Xm	Xm
	49.5240



Speed - Torque Curve

